

# SONY

4K Video Camera  
**MCC-S40MD**

**4K**



\* Images are from a camera mounted to a triaxial camera platform.



**Exmor R**

**HDMI**

## 4K/HD surgical field camera for medical use that records surgeries in high-resolution

### Record in 4K/HD

Equipped with a large and high resolution 1.0-inch Exmor R<sup>®</sup> CMOS sensor ideal for 4K resolution, delivering high-resolution recordings of surgeries.

### 20x zoom\*

Employs a large-aperture 4K-quality lens. The additional use of an aspherical lens allows every part of an image to be captured without distortion.

### High-resolution image quality

Sony's original advanced BIONZ X image Processing Engine delivers high-quality images and natural textures with low noise.

### Optimal Design

It can also be mounted to boom mounting arms, and allows for external remote operation. The housing also employs a streamlined form that is easy to clean.

\* With the QFHD (4K) settings, attain 20x zoom from 12x optical zoom plus 1.67x clear image zoom.

<https://ubmsmedical.com/>



## Specifications

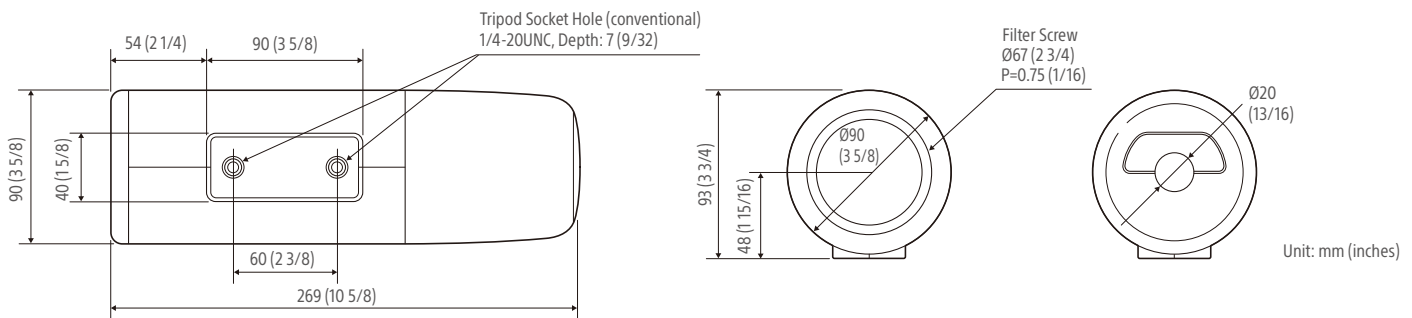
System	
Product Style	1-Piece Completed Camera With Lens
Image Device	1 type "Exmor R" CMOS image sensor, single chip type) Effective Pixels : 20.9 million(14.2 million)
Zoom Ratio	HD/SD: 24x (12x optical, 2.0x digital) 4K: 20x (12x optical, 1.67x clear image zoom) 144x digital zoom (12x optical, 12x electronic zoom)
Focal Length	f = 9.3 mm to 111.6 mm
F-number	F2.8 to F4.5 mm
ND Filter	Integrated (In and Out) ND level: 0, 1/4, 1/16, 1/64
IR Cut Filter	Integrated (In and Out, Removable)
Image Stabilization	Optical and Electrical (Hybrid)
Minimum Object Distance	80 mm (w) to 1000 mm (t)
Minimum illumination	0.2 lux
Shutter Speed	1/6 to 1/10000
Horizontal Resolution	1800 TV lines
Shutter System	Auto / Manual
Sensitivity	F6.2 (Y) (Typical)
Exposure Control	Auto / Manual
Iris Control	Auto / Manual
Gain	0 to 39 dB
White Balance	Auto / Manual
Picture S/N	61 dB (Y) (Typical)
Contrast Emphasis	Integrated
Digital Noise Reduction	Integrated (2D / 3D)
Color Bar	Integrated

Image Location	Horizontal, Vertical
Image Reversal	Horizontal
Picture Profile	6
	Interface: RS-232C, Protocol: VISCA
Connectors	
Output Connectors	HDMI 1.4b (TypeA) (x1) (4K, HD, SD) 3G-SDI (x1) (SMPTE 292/424 Compatible)
Input/Output Connectors	RS-232C (x1) (D-sub 9-pin) HR10G-7R-4P (73) (x1)
General	
Power Requirements	DC 9 to 24 V
Input Current	1 A (9 V) to 0.4 A (24 V)
Operating Temperature	0°C to 40°C (32°F to 104°F)
Operating Humidity	20% to 80% (without condensation)
Operating Pressure	700 hPa to 1060 hPa
Storage/Transport Temperature	-20°C to 60°C (-4°F to 140°F)
Storage/Transport Humidity	20% to 90% (without condensation)
Storage/Transport Pressure	700 hPa to 1060 hPa
Mass (Camera Head)	Approx. 1.2 kg (2 lb 10 oz)
Dimensions*1 (Camera Head) (WHD, excluding longest protrusions)	Approx. 90 x 93 x 269 mm (Approx. 3 5/8 x 3 3/4 x 10 5/8 in.) *1 The values for dimensions are approximate.
Supplied Items	Fall Prevention Wire (1) Wire Fixing Screw M4 x8 (1) Instructions for Use (x1) Warranty Card (x1)

\* Please note that this product does not conform to the definition of a medical device.

\* The mounted features for these differ depending on the controller you use.

## Dimensions



## Optional accessories



\* Controlling MCC-S40MD, control tools are required separately.

Distributed by



<https://ubmsmedical.com/>

yaseer@unitedbroadcast.com  
info@unitedbroadcast.com

MK20280V10HB18JUL

©2018 Sony Corporation. All rights reserved.

Reproduction in whole or in part without written permission is prohibited.

Features and specifications are subject to change without notice.

All non-metric weights and measurements are approximate.

Sony is a registered trademark of Sony Corporation.

All other trademarks are the property of their respective owners.

Please visit Sony's professional website or contact your Sony representative for specific models available in your region.

<https://ubmsmedical.com/>